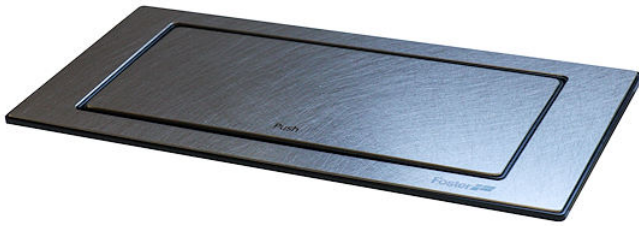


SUPPORT DE PRISE VERSO VINTAGE

Built-in socket

Code: A000 A17

SUPPORT DE PRISE VERSO VINTAGE



DETAILS

Material AISI 304 stainless steel

Texture Vintage

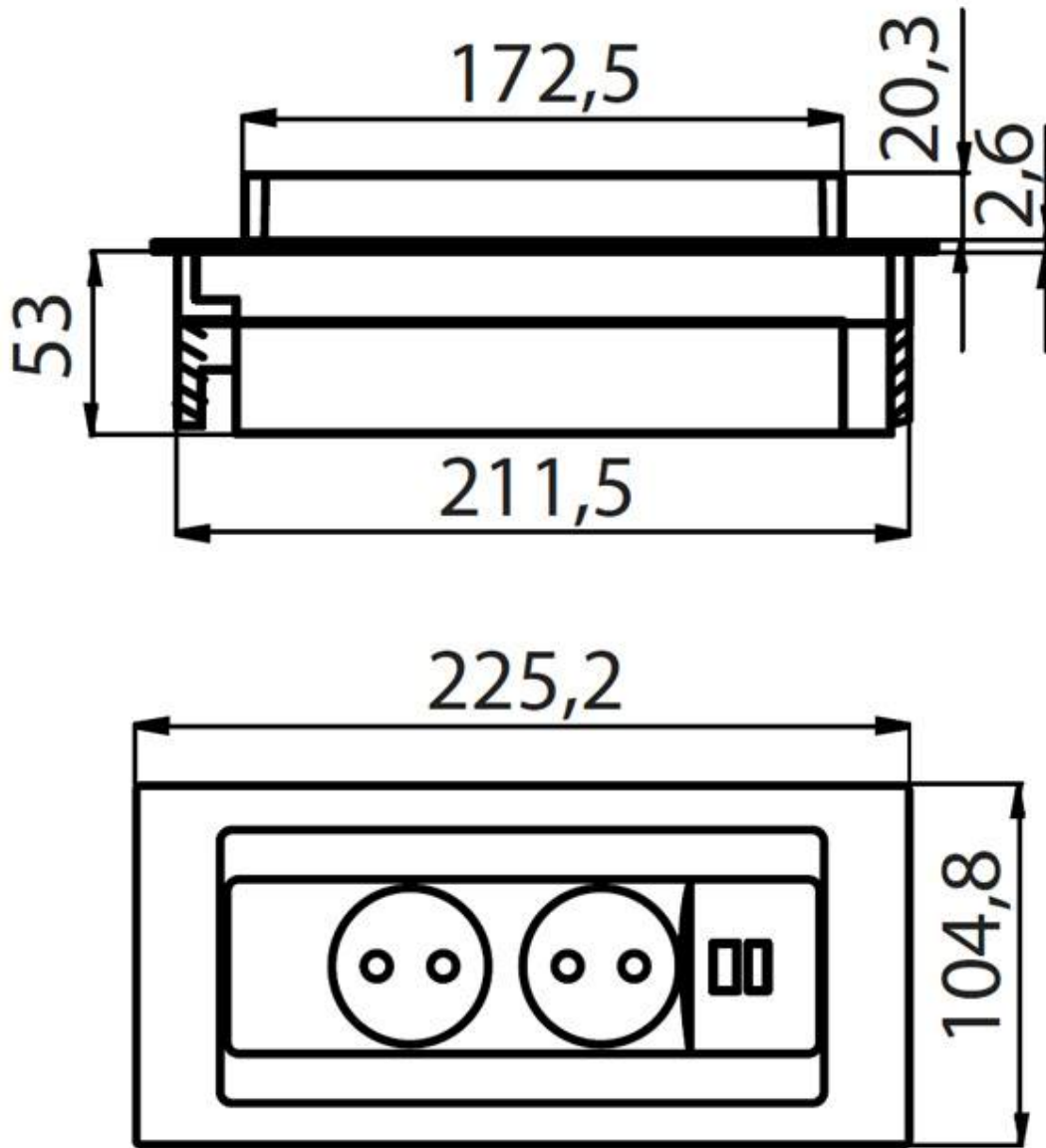
Built-in hole 215x88 mm

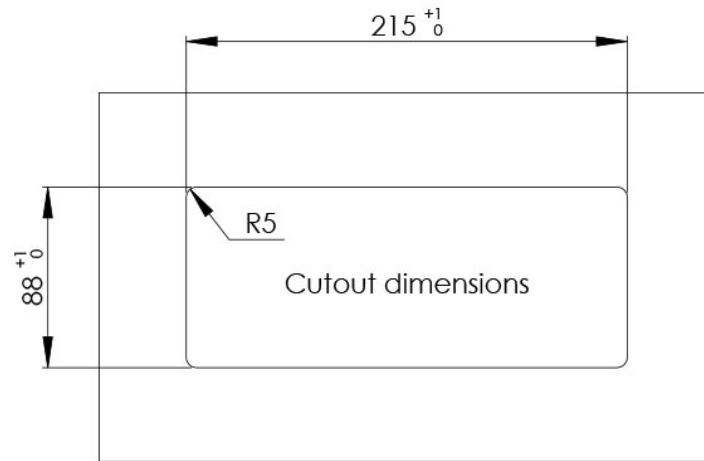
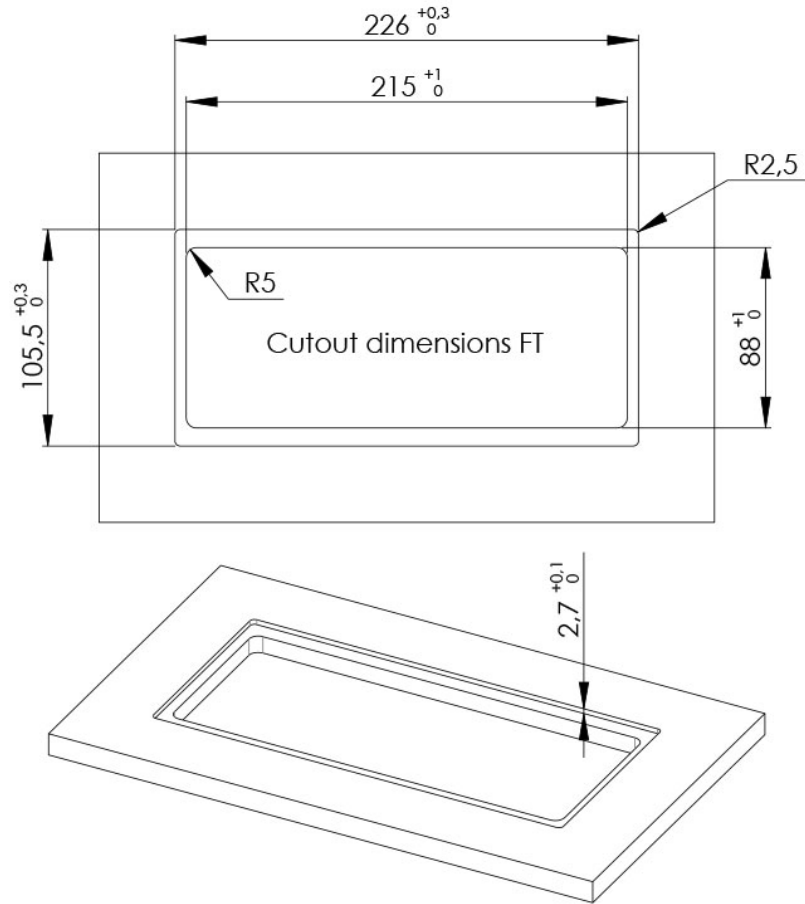
Notes: It's advisable to keep a distance of 40 cm from sinks or cooking hobs (protection index IP20)

FEATURES

VINTAGE The Vintage finish gives the product a long-lived and elegant look, creating a surface that does not fear scratches.

TECHNICAL DATA





GALLERY

